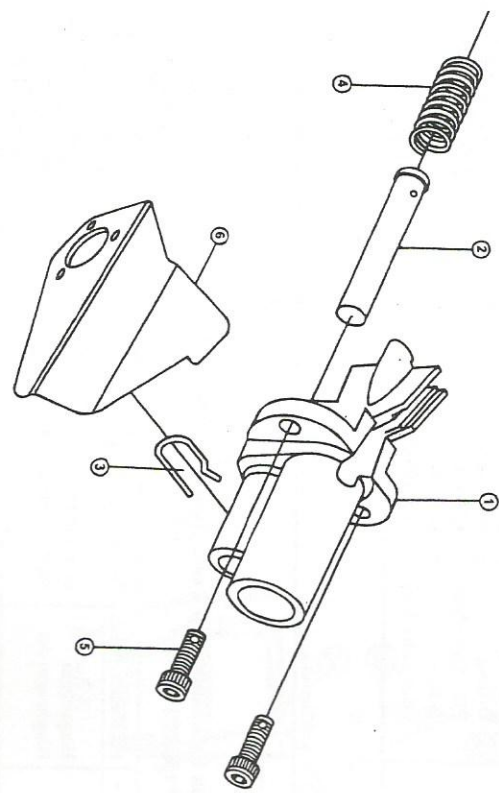


NOSE ASSEMBLY (1)

ADR 900 0009K

5/16" Head Diameter Fasteners
1-1/4" thru 2-1/4" In Length



Item #	Part Description	Part #	Qty
1	Nose Body	ADR 900 0009	1
2	Touch Probe (2)	ADR 900 0002	1
3	Hitch Pin	A933A004	1
4	Probe Spring	ACP 100 0043	1
5	1/4-20 x 3/4 Nylok screw	ACP 100 0056N	2

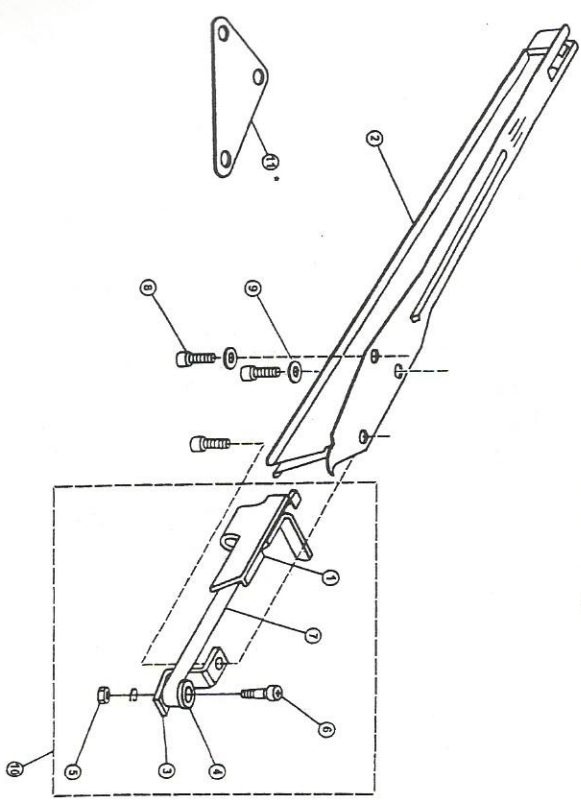
(1) The ADR 900 0009K is the standard nose for the Arico 90® tool. Other noses which accept pins 1/2" to 4" length are available. Call ET&F Fastening Systems, Inc. for details.

(2) Replacement Valve Seat for Touch Probe: Part Number ACP 100 0014

SPRING MAGAZINE ASSEMBLY

AB 0022 K

5/16" Head Diameter Fasteners
1/2" thru 2-1/4" Collated Fastener Lengths



Item #	Part Description	Part #	Qty
1	Pin Pusher	AB0016	1
2	Magazine Track	AB0017	1
3	Spool Bracket	AB0019	1
4	Spool	AB0021	1
5	10-24 Lock Nut	A928H029	1
6	10-24 Shoulder Bolt	A927K045	1
7	Constant Tension Spring	AB0031K	1
8	1/4-20 x 5/8 Nylok Screw	ACP 190 0016N	3
9	1/4-20 x 5/8 Nylok Screw	ACP 100 0054	2
10	Pin Pusher Assembly	AB0086K	1
* 11	Pilot Valve Cover Plate	ADR 965 0001	1

* Plate required when spring magazine is not mounted to Arico® 90 tool.